



*“BriLux™ **Remix-2** is the upgraded version of the original **Remix**. It is the world’s first power LED color changing MR16 that is truly right size and form factor, plus more new features!”*

BriLux™ Remix-2 series **RGB** color changing MR16 is designed to fit into standard, low voltage, MR16 fixtures and sockets, and project a 15° or 35° well-defined, full color, spot light. It is well suited for tracks, rails, cables and pendants in bar or disco, pub, restaurant, theater and amusement park applications.

This amazing stand alone **RGB** MR16 produces a full range of controllable colors and effects in a single bulb. It has a remote control for 5 color changing modes: Smooth color change, Fast color change, 7 different colors, white strobe and color flash. Each remote control can control up to 8 bulbs simultaneously, up to 10 meters away. Added new features are color change speed control, individual color brightness control, pause, last mode memory.

The **Remix-2** series utilizes the patented color control technology specifically developed for mixing the color of power LED devices. The aluminum casing uniquely allows heat to dissipate properly; making the product thermally stable for long hours of operation.

BriLux™ Remix-2 series MR16 is equipped with optical grade polycarbonate lens that allows highest light transmission at 35° beam angle.

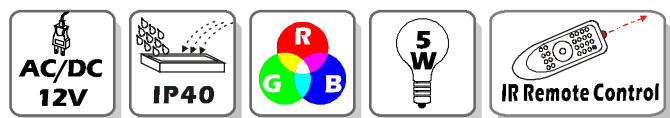


Features

- Light source: 3.5W **RGB** power LED
- Source life: More than 40,000 hours
- Low heat, no UV or IR light radiation
- 5 preset color change effects
- **New** - 256 colors
- **New** - Color change speed control
- **New** - Individual color brightness control
- **New** - Last mode/color memory
- **New** - Pause function
- Optimized heat sink with the right looks
- Overheat protection
- Reverse polarity protection
- Safety Standard: **CE**
- Works with all 12V AC/DC lighting systems
- 1 year limited warranty

Typical Applications

- Bar/Restaurant/Disco Lighting
- Mood Lighting
- Theater Lighting
- Amusement Park Accent





PRODUCT SPECIFICATIONS

LIGHT SOURCE	1X3.5W power RGB LED
OPTICS	Optical grade PC collimator
LENS DIAMETER	33 mm
BEAM ANGLE	35° (Wide Angle Spot)
NUMBER OF EFFECTS	5
NUMBER OF COLORS	256
REMOTE CONTROL DISTANCE	10 meter max
TOTAL LENGTH	49 mm (including pins)
WEIGHT	30g (lamp only)
HOUSING	Molded aluminum with frosted silver finish, 5 cm (2") diameter
BASE	GX5.3 pins
SYNCHRONIZABILITY	Non-synchronizable
DIMMABILITY	Dimmerble by remote controller

ENVIRONMENTAL SPECIFICATIONS

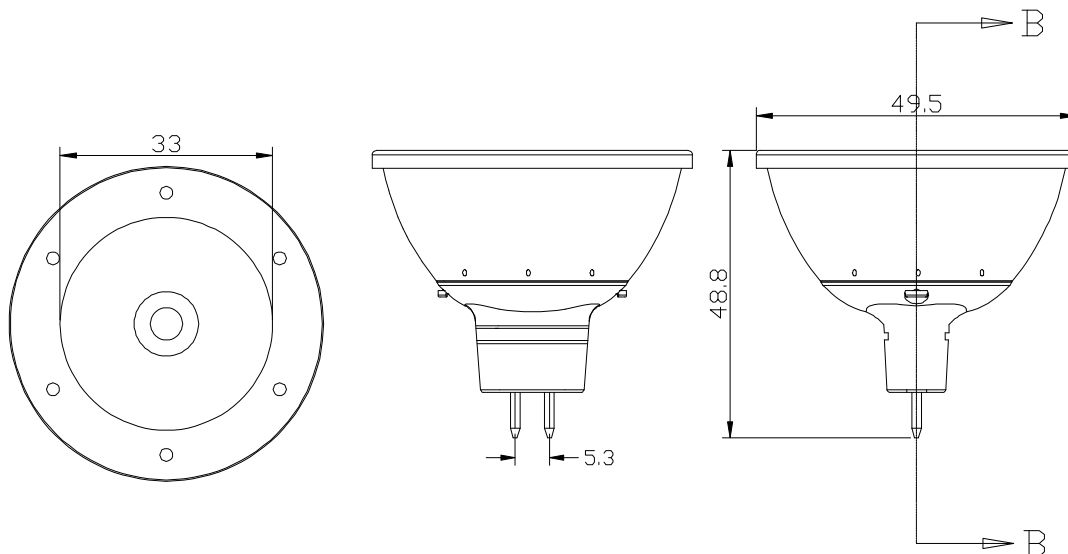
TEMPERATURE RANGE	Ambient: -20°C to 40°C; Surface of Lamp: 40°C to 50°r
HUMIDITY RANGE	0 to 95% non-condensing humidity

ELECTRICAL SPECIFICATIONS

VOLTAGE REQUIREMENT	12V AC or DC
LAMP POWER CONSUMPTION	5W
TRANSFORMER	Low voltage magnectic or switching power supply to provide 12V AC or 12V DC

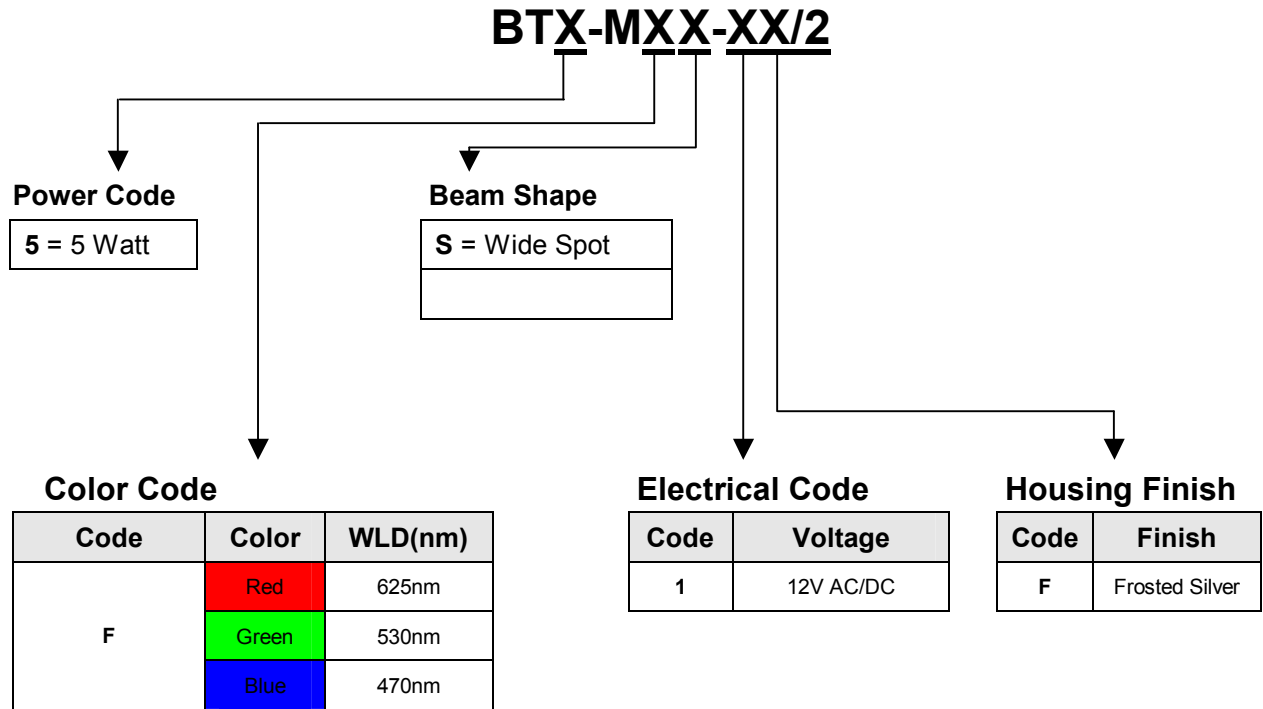
DO NOT CONNECT LAMP TO ELECTRONIC TRANSFORMER

PRODUCT DIMENSIONS (mm)





PRODUCT ORDERING CODE



ORDER CODE	Color	Typ. Wavelength (nm)	Operating Voltage (V)	LED Power (W)	Typical Luminous Flux (lm)	Typical Illuminance @ 1m (Lux)	BEAM ANGLE
BT5-MFS-1F/2	Red	625 nm	12V AC/DC	1X3.5W	30 lm	140 Lux	35° ±2°
	Blue	470 nm			10 lm	55 Lux	
	Green	530 nm			30 lm	80 Lux	

Notes: Lamps are NOT synchronized with each other.

Typical Electrical Characteristics at T_a=25°C

Parameter	Symbol	Min	Typ	Max	Unit
Input Voltage (AC)	V _{AC}	10	12	14	V
Input Voltage (DC)	V _{DC}	9	12	14	V
LED Forward Current per Color	I _F	10	200	300	mA
Estimated Life ^[6]		—	40,000	—	Hours
Optimized Body Temperature	T	—	45	50	°C

Note: Lamp is optimized for 12V DC input voltage

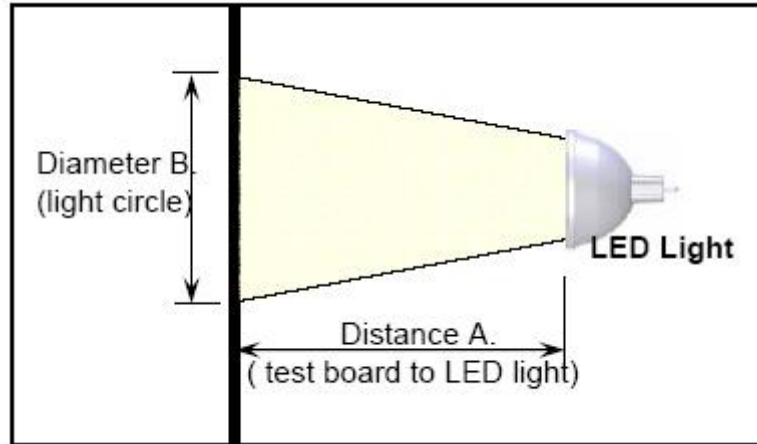
Illumination Characteristics ($T_a=25^{\circ}\text{C}$)


Fig 1. Set up for Illuminance Measurement

 For Wide Spot Model (35° view angle)

Distance		Typical Illuminance Measure at the Center of Beam (Lux)						
Dist A (cm)	Dia. B (cm)	White	Purple	Cyan	Blue	Green	Yellow	Red
30	25	1500	1400	920	490	710	1600	1400
50	40	535	480	350	195	280	550	500
100	90	150	130	100	55	80	160	140

Notes: Center beam lux is measured with Digital Lux Meter (Model TES-1334A)



Optional Accessories

3) MR16 Connector without clip – P/N: 21101

Approval: VDE, UL

Rating: 125V 100W/250V 4A

Material: Porcelain

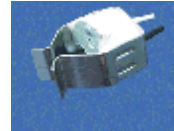


4) MR16 Connector with spring clip – P/N: 21105

Approval: VDE, UL

Rating: 125V 100W/250V 4A

Material: Porcelain



Optional Power Supply (Recommended for RGB lamps)

1) 60W Ferro Magnetic Power Supply – Part No.: PS-60W-12

Specifications:

Input: AC110V or AC220V 50/60 Hz

Output Voltage: AC12V

Output Current: 5A max

Power: 60W max

Weight: 1.2Kg

Casing Size: 120X80X65 mm

Remarks: Other wattages is available, please inquire with our sales team



2) 60W Switching Power Supply – Part No.: SS-60W-12

Specifications:

Input: AC110V or AC220V 50/60 Hz

Output Voltage: DC12V

Output Current: 5A max

Power: 60W max

Weight: 0.5Kg

Casing Size: 150X96X40 mm

Remarks: Other wattages is available, please inquire with our sales team

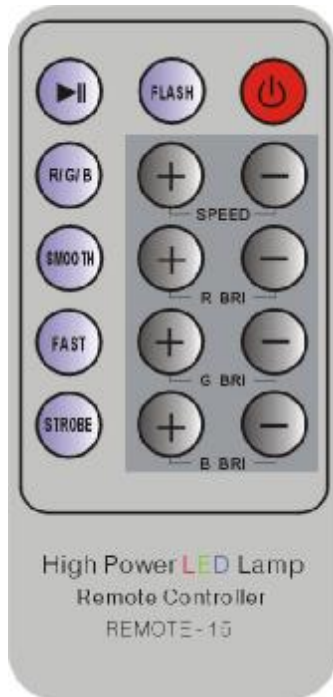


Installation Note:

3W RGB MR16 – Maximum 10 lamps connection per power supply



Remote Controller Functions



Button	Function
	Turn on or off the lamp or to recall last mode/color
	Pause the SMOOTH color change
	Manually change all 7 colors.
	Smooth color change mode
	Rapid color change mode
	White strobe mode
	Any 7 colors flashing mode [press R/G/B to get desire color + FLASH]
	Speed control of the STROBE and FAST mode
	Brightness control for red color. Also work in STROBE mode.
	Brightness control for green color. Also work in STROBE mode.
	Brightness control for blue color. Also work in STROBE mode.
Notes: 1) To turn ON the spotlight, just press the button of any desire mode. 2) The ON/OFF button is also a last mode/color recall button.	